



Network Camera

Quick Guide

DC-S3283FX/DC-S3283WHX

Powered by **Direct IP**®

Safety Precautions

WARNING

RISK OF ELECTRIC SHOCK
DO NOT OPEN

WARNING: TO REDUCE THE RISK OF ELECTRIC SHOCK,
DO NOT REMOVE COVER (OR BACK). NO USER-SERVICEABLE PARTS INSIDE.
REFER SERVICING TO QUALIFIED SERVICE PERSONNEL.

Important Safeguards

1. Read Instructions

All the safety and operating instructions should be read before the appliance is operated.

2. Retain Instructions

The safety and operating instructions should be retained for future reference.

3. Cleaning

Unplug this equipment from the wall outlet before cleaning it. Do not use liquid aerosol cleaners. Use a damp soft cloth for cleaning.

4. Attachments

Never add any attachments and/or equipment without the approval of the manufacturer as such additions may result in the risk of fire, electric shock or other personal injury.

5. Water and/or Moisture

Do not use this equipment near water or in contact with water.

6. Placing and Accessories

Do not place this equipment on an wall or ceiling that is not strong enough to sustain the camera. The equipment may fall, causing serious injury to a child or adult, and serious damage to the equipment. Wall or shelf mounting should follow the manufacturer's instructions, and should use a mounting kit approved by the manufacturer.



This equipment and cart combination should be moved with care. Quick stops, excessive force, and uneven surfaces may cause the equipment and cart combination to overturn.

Do not place this equipment in an enclosed space. Sufficient ventilation is required to prevent an increase in ambient temperature which can cause malfunction or the risk of fire.

7. Power Sources

This equipment should be operated only from the type of power source indicated on the marking label. If you are not sure of the type of power, please consult your equipment dealer or local power company. You may want to install a UPS

(Uninterruptible Power Supply) system for safe operation in order to prevent damage caused by an unexpected power stoppage. Any questions concerning UPS, consult your UPS retailer.

8. Power Cord

Operator or installer must remove power and TNT connections before handling the equipment.

9. Lightning

For added protection for this equipment during a lightning storm, or when it is left unattended and unused for long periods of time, unplug it from the wall outlet and disconnect the antenna or cable system. This will prevent damage to the equipment due to lightning and power-line surges. If thunder or lightning is common where the equipment is installed, use a surge protection device.

10. Overloading

Do not overload wall outlets and extension cords as this can result in the risk of fire or electric shock.

11. Objects and Liquids

Never push objects of any kind through openings of this equipment as they may touch dangerous voltage points or short out parts that could result in a fire or electric shock. Never spill liquid of any kind on the equipment.

12. Servicing

Do not attempt to service this equipment yourself. Refer all servicing to qualified service personnel.

13. Damage requiring Service

Unplug this equipment from the wall outlet and refer servicing to qualified service personnel under the following conditions:

- When the power-supply cord or the plug has been damaged.
- If liquid is spilled, or objects have hit the equipment.
- If the equipment has been exposed to rain or water.
- If the equipment does not operate normally by following the operating instructions, adjust only those controls that are covered by the operating instructions as an improper adjustment of other controls may result in damage and will often require extensive work

by a qualified technician to restore the equipment to its normal operation.

- If the equipment has been dropped, or the cabinet damaged.
- When the equipment exhibits a distinct change in performance — this indicates a need for service.

14. Replacement Parts

When replacement parts are required, be sure the service technician has used replacement parts specified by the manufacturer or that have the same characteristics as the original part. Unauthorized substitutions may result in fire, electric shock or other hazards.

15. Safety Check

Upon completion of any service or repairs to this equipment, ask the service technician to perform safety checks to determine that the equipment is in proper operating condition.

16. Field Installation

This installation should be made by a qualified service person and should conform to all local codes.

17. Correct Batteries

Warning: Risk of explosion if battery is replaced by an incorrect type. Replace only with the same or equivalent type. Dispose of used batteries according to the instructions. The battery shall not be exposed to excessive heat such as sunshine, fire or the like.

Avertissement: risque d'explosion en cas d'utilisation d'une batterie de type incorrect. Le remplacer uniquement par un type identique ou équivalent. Mettre les batteries usées au rebut conformément aux instructions. La batterie ne doit pas être exposée à une source de chaleur excessive, telle que le soleil, le feu, ou analogue

18. Tmra

A manufacturer's maximum recommended ambient temperature (Tmra) for the equipment must be specified so that the customer and installer may determine a suitable maximum operating environment for the equipment.

FCC Compliance Statement

THIS EQUIPMENT HAS BEEN TESTED AND FOUND TO COMPLY WITH THE LIMITS FOR A CLASS A DIGITAL DEVICE, PURSUANT TO PART 15 OF THE FCC RULES. THESE LIMITS ARE DESIGNED TO PROVIDE REASONABLE PROTECTION AGAINST HARMFUL INTERFERENCE WHEN THE EQUIPMENT IS OPERATED IN A COMMERCIAL ENVIRONMENT. THIS EQUIPMENT GENERATES, USES, AND CAN RADIATE RADIO FREQUENCY ENERGY AND IF NOT INSTALLED AND USED IN ACCORDANCE WITH THE INSTRUCTION MANUAL, MAY CAUSE HARMFUL INTERFERENCE TO RADIO COMMUNICATIONS. OPERATION OF THIS EQUIPMENT IN A RESIDENTIAL AREA IS LIKELY TO CAUSE HARMFUL INTERFERENCE, IN WHICH CASE USERS WILL BE REQUIRED TO CORRECT THE INTERFERENCE AT THEIR OWN EXPENSE.

WARNING: CHANGES OR MODIFICATIONS NOT EXPRESSLY APPROVED BY THE PARTY RESPONSIBLE FOR COMPLIANCE COULD VOID THE USER'S AUTHORITY TO OPERATE THE EQUIPMENT. THIS CLASS OF DIGITAL APPARATUS MEETS ALL REQUIREMENTS OF THE CANADIAN INTERFERENCE CAUSING EQUIPMENT REGULATIONS.

WEEE (Waste Electrical & Electronic Equipment)

Correct Disposal of This Product

(Applicable in the European Union and other European countries with separate collection systems)



This marking shown on the product or its literature, indicates that it should not be disposed with other household wastes at the end of its working life. To prevent possible harm to the environment or human health from uncontrolled waste disposal, please separate this from other types of wastes and recycle it responsibly to promote the sustainable reuse of material resources.

Household users should contact either the retailer where they purchased this product, or their local government office, for details of where and how they can take this item for environmentally safe recycling.

Business users should contact their supplier and check the terms and conditions of the purchase contract. This product should not be mixed with other commercial wastes for disposal.

Copyright

© 2019 IDIS Co., Ltd.

IDIS Co., Ltd. reserves all rights concerning this document.

Use or duplication of this document in part or whole without the prior consent of IDIS Co., Ltd. is strictly prohibited.

Contents of this document are subject to change without prior notice for reasons such as functionality enhancements.

Registered Trademarks

IDIS is a registered trademark of IDIS Co., Ltd.

Other company and product names are registered trademarks of their respective owners.

This product contains software built partially on open-source content. You may obtain the complete corresponding source code depending on whether or not the source is publicly available under a license policy. For more information, refer to **System > General** page. This product includes software developed by the University of California, Berkeley and its contributors, and software developed by the OpenSSL Project for use in the OpenSSL Toolkit (<http://www.openssl.org/>). Also, this product includes cryptographic software written by Eric Young (ey@cryptsoft.com).

Accessories

Upon purchasing the product, check inside the box to make sure all the following accessories are included. Some parts may differ depending on the situation.

Network Camera	Screws and Anchors (4ea.)
Quick Guide	



- Please download software (IDIS Discovery, IDIS Center, IDIS Solution Suite Compact) and product manual from this link :
<https://www.idisglobal.com/support/csdownload>
 - IDIS Website (www.idisglobal.com) > Support > Technical Resources
 - Search IDIS Discovery, IDIS Center, IDIS Solution Suite Compact.
- The screws are not provided for *DC-S3283FX* model.

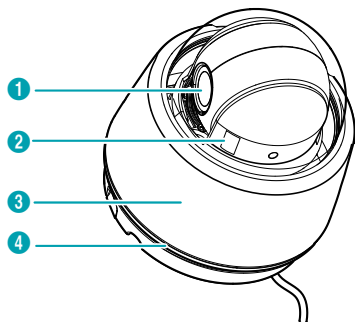
Overview



- Product color and design may vary depending on the model.
- For more details on each part name, refer to the manual.

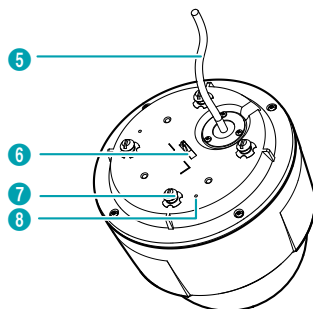
Indoor and Outdoor

Body



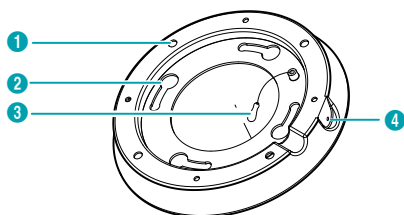
1	Lens
2	Micro SD Memory Card Slot
3	Dome Cover
4	Waterproof Sealing (black rubber)

Body - Bottom Side View

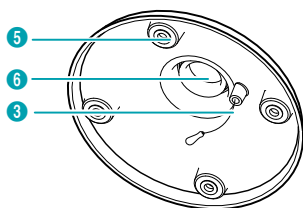


5	Cable
6	Safety Wire Ring
7	Install Screw
8	M3 Screw Hole

Indoor Bracket

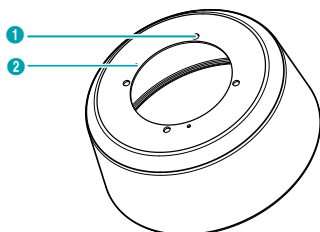


Outdoor Bracket



1	Wall/Ceiling Mounting Hole
2	Install Screw Hole
3	Safety Wire
4	M4 Screw Hole
5	M5 Screw Hole
6	Pipe Hole

Outdoor Sun Shield

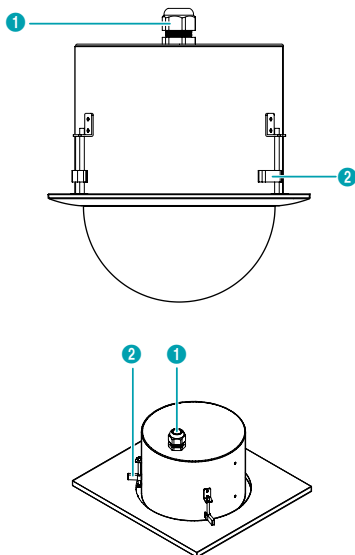


1	M5 Screw Hole
2	M3 Screw Hole

Network Camera

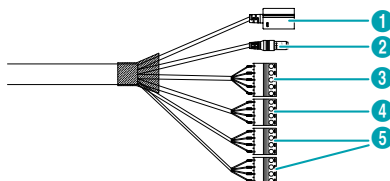
Flushed

Housing



1	Cable Guard
2	Mounting Clamp

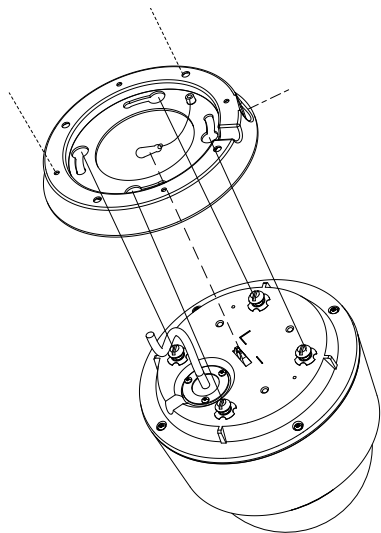
Cable



1	Network Port
2	Power
3	Audio In/Out
4	Alarm Out
4	Alarm In

Camera Installation

Indoor



- 1 Screw the indoor bracket to the wall or ceiling by using the wall/ceiling mounting screws provided with the camera.
- 2 Make a cable hole in the wall or ceiling.
- 3 Hook the safety wire of the bracket on the safety wire ring of the camera body.
- 4 Connect external devices, the network cable, and the power adapter.
- 5 Connect the camera body to the indoor bracket. Fix the install screws of the camera body up to the install screw holes of the bracket and then turn the camera body by 25° in the clockwise direction.
- 6 Secure the camera body on to the bracket by tightening the M4 screw provided with the camera to the M4 screw hole of the bracket.
- 7 Supply the power.

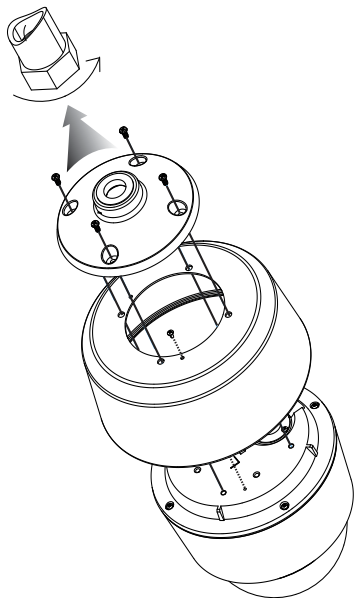
Outdoor



The outdoor bracket and sun shield are purchased separately. Ask your dealer or distributor about purchasing it.

In case that a universal nut is attached to a pipe

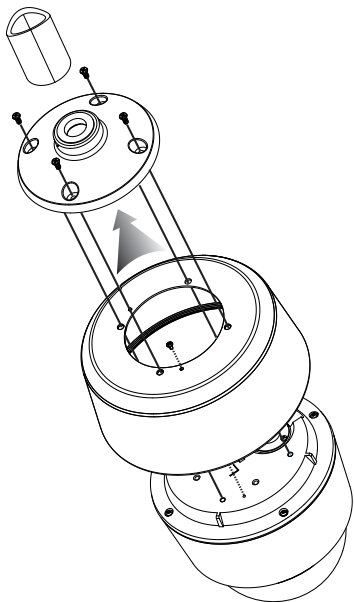
Connect the sun shield and outdoor bracket first, then connect it to the pipe as follows:



- 1 Remove the install screw from the camera body.
- 2 Use the provided M3 screws to secure the sun shield on to the camera body.
- 3 Hook the safety wire of the outdoor bracket on the safety wire ring of the camera body.
- 4 Screw the outdoor bracket to the sun shield by using the M5 screws provided with the camera.
- 5 Connect the cable from the camera to the pipe.
- 6 Turn the universal nut to connect the camera to the pipe.
- 7 Connect external devices, the network cable, and the power adapter.
- 8 Supply the power.

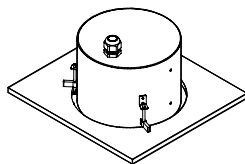
In case that a universal nut is not attached to a pipe

Connect the sun shield to the outdoor bracket as follows:



- 1 Remove the install screw from the camera body.
- 2 Use the provided M3 screws to secure the sun shield on to the camera body.
- 3 Assemble the outdoor bracket to the pipe by turning the outdoor bracket.
- 4 Hook the safety wire of the outdoor bracket on the safety wire ring of the camera body.
- 5 Connect the cable from the camera to the pipe.
- 6 Screw the sun shield to the outdoor bracket by using the M5 screws provided with the camera.
- 7 Connect external devices, the network cable, and the power adapter.
- 8 Supply the power.

Flushed




The camera is mounted in the housing.

- 1 Remove the ceiling tile from the ceiling. Draw circle whose diameter is 7.87" (200 mm) on the tile. Cut the circle out of the ceiling tile.
- 2 Connect external devices, the network cable, and the power adapter.
- 3 Turn the housing dome cover counterclockwise to remove the housing dome cover from the housing can.
- 4 Insert the housing into the ceiling and turn the screws of three clamps clockwise. The clamps are laid over the ceiling tile and the housing is held in the ceiling.
- 5 Connect the housing dome cover to the housing can and turn it clockwise to secure the dome cover to the housing.
- 6 Supply the power



The ceiling tile cannot be thicker than 1.3" (35mm).

Specifications

External Dimensions (Ø x H)	7.87" x 7.87" (200mm x 200mm)
Weight (Main Unit)	5.40 lbs. (2.45kg)
Working Temperature	<i>DC-S3283WHX model:</i> -40°F ~ 140°F (-40°C ~ 60°C) (Starting Temperature: -4°F ~ 140°F (-20°C ~ 60°C)) <i>DC-S3283FX model:</i> 14°F ~ 140°F (-10°C to 60°C) (Starting Temperature: 32°F ~ 140°F (0°C ~ 60°C))
Operating Humidity	0% to 90%
Power Input	<i>DC-S3283FX model:</i> 24 VAC, PoE (Power over Ethernet) (IEEE 802.3af, Class 3) <i>DC-S3283WHX model:</i> 24 VAC, PoE (Power over Ethernet) (IEEE 802.3at, Class 4)
Power Consumption	<i>DC-S3283FX model:</i> 24V~, 0.66A, 12.0W, 50/60Hz PoE, IEEE 802.3af(Class 3) <i>DC-S3283WHX model:</i> Heater OFF 24V~, 0.66A, 12.0W, 50/60Hz PoE, IEEE 802.3at(Class 4) Heater ON 24V~, 0.82A, 15.3W, 50/60Hz PoE, IEEE 802.3at(Class 4)
External Storage* (Optional)	 (Micro SD (SDHC) memory card (class 6 or higher, max. 32GB))
Certifications	FCC, CE, IP67**, UL, IK10**

* microSD Logo is a trademark of SD-3C, LLC.

* An SLC (Single Level Cell) or MLC (Multi Level Cell) card by SanDisk or Transcend is recommended to ensure stable recording performance.

* An SD memory card is a consumable product with a finite service life. Prolonged use will damage the card's memory sectors and result in data loss or memory card failure. Test the SD memory card regularly and replace it whenever necessary.

** Not applies to *DC-S3283FX* model.

- **DirectIP NVR makes it easy to use cameras without extra network configurations.**
Each camera can be controlled via the DirectIP™ NVR setup menu, without any PC.
 - For detailed camera settings, please see the camera setting pages of DirectIP™ NVR manual.
- **To use your camera with non-DirectIP system (e.g. other NVR or VMS), refer to the camera manual and it can be downloaded from our website: www.idisglobal.com.**



IDIS Co., Ltd.

For more information, please visit
www.idisglobal.com